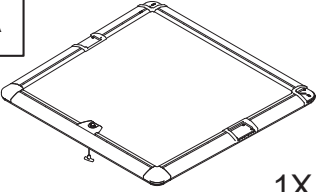
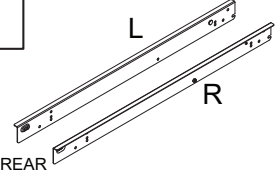
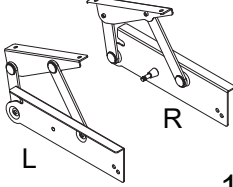

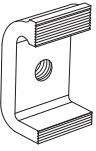
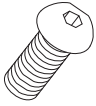
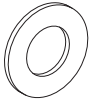
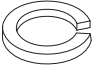
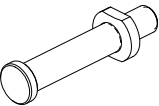
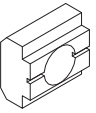
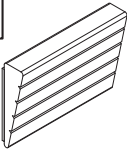
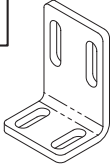

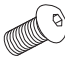

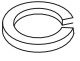
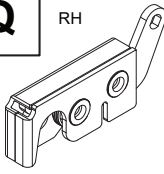
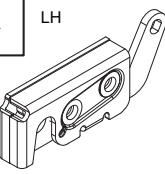



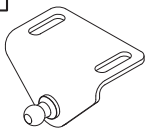
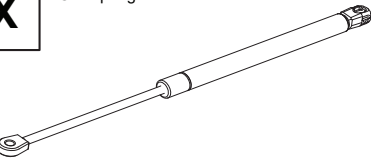
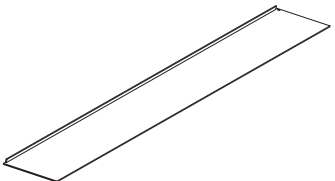


UpStoneEvolve

INSTALLATION INSTRUCTION MANUAL

ISUZU D-MAX 2020+ CREW CABINE EVOSR1000S

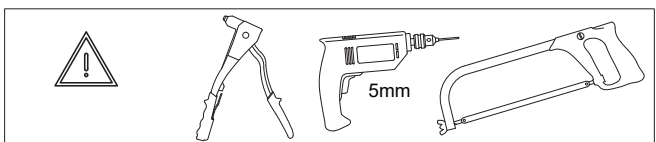
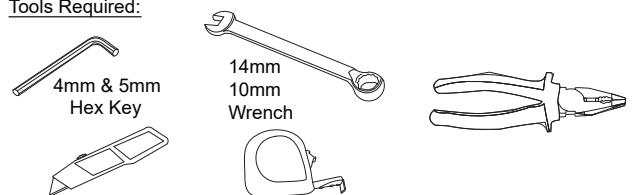
 COVER EVOSR1000S
 KIT1000RLBF

A  1X	B  REAR L R 1X	C  L R 1X	D  2X		
E  Incl. kit 610 4X	F M8x25mm  4X	G M8X16 Stainless Steel Washer  Incl. kit 607/610 10X	H M8 Stainless Steel Spring Washer  Incl. kit 610 2X	I  Incl. kit 610 2X	J  Incl. kit 610 2X
K  Incl. kit 610 4X	L  x2 Incl. kit 607 2X	M M8 Nylock  x4 Incl. kit 607 4X	N M6X18  x8 Incl. kit 607 8X	O M6X13 mm Zinc  x8 Incl. kit 607 8X	P M6 Stainless Steel Spring Washer  x8 Incl. kit 607 8X
Q RH  Incl. kit 607 1X	R LH  Incl. kit 607 1X	S M5 Cable Bolt, Washer & Dome Nut  Incl. kit 607 2X	T  Incl. kit 607 2X	U  2X	V  2X
X Gas springs  2X	Y  1X				

Note 1: If at any stage of installation you find your sportlid to be an unacceptable fit please contact the manufacturer before continuing.

Note 2: If required, use Under Rail Bed Liner only. **NOT FOR USE WITH OVER RAIL BED LINER!**

Tools Required:



Fitting Kit Number	Product	Revision	Date	Page
EVOSR1000S	ISUZU D-MAX	2	11-09-2024	1

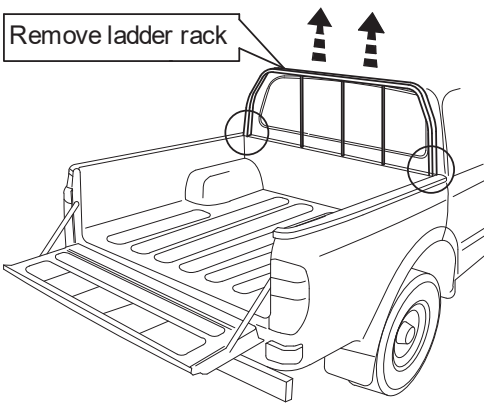
UpStoneEvolve

651, rue Henri Laugier.

06600 ANTIBES.

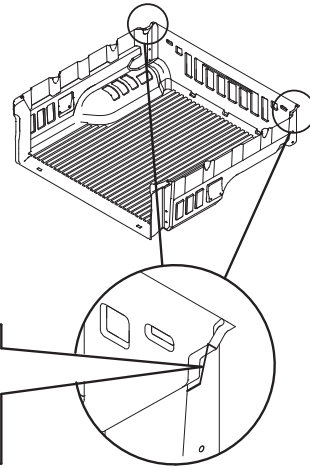
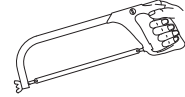
<http://www.upstone.eu> - info@upstone.fr

1

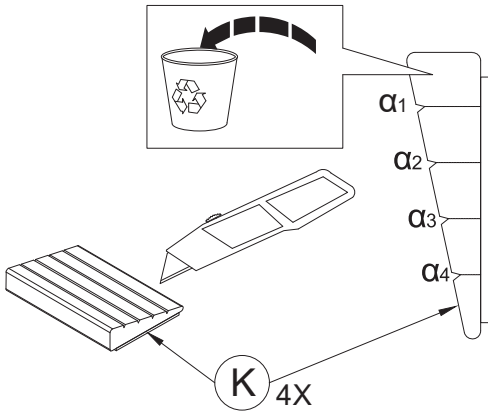


Note 2: If required, use Proform Under Rail Bed Liner only. Not for use with Over Rail Bed Liner.

Follow guide lines to trim liner in front corners.

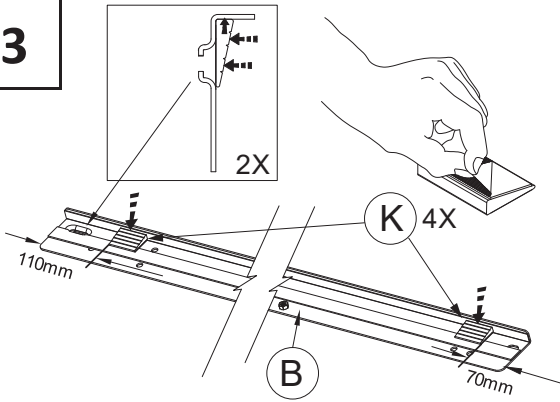


2

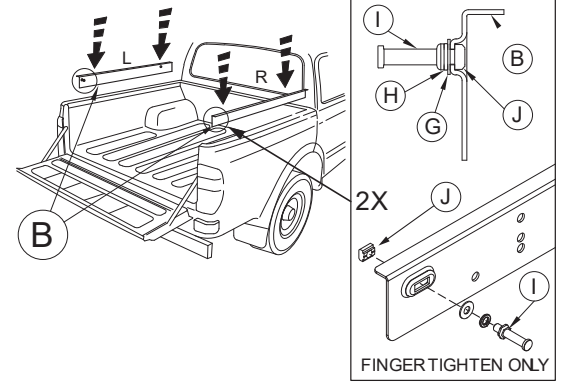


Vehicle Model	α
ISUZU D-MAX Crew et Space Cabine 2020+ ATFS, ATFR	2

3



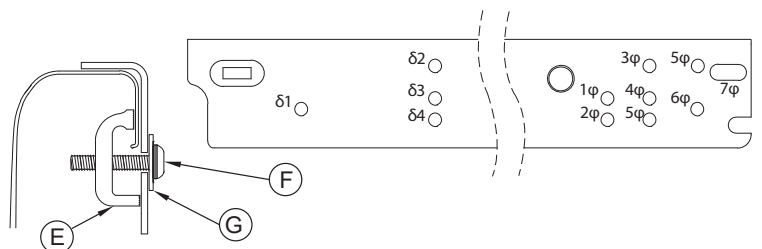
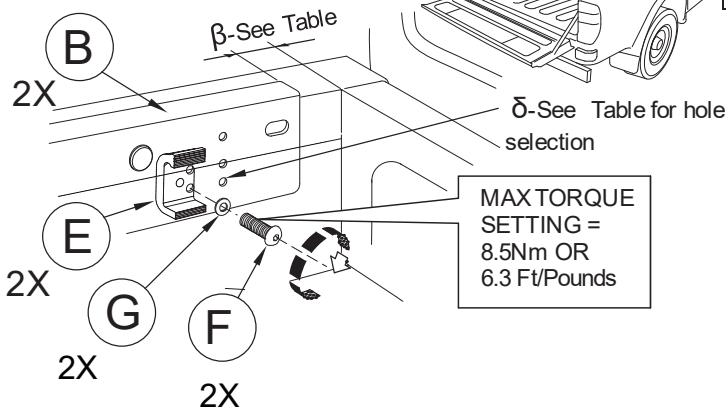
4



5

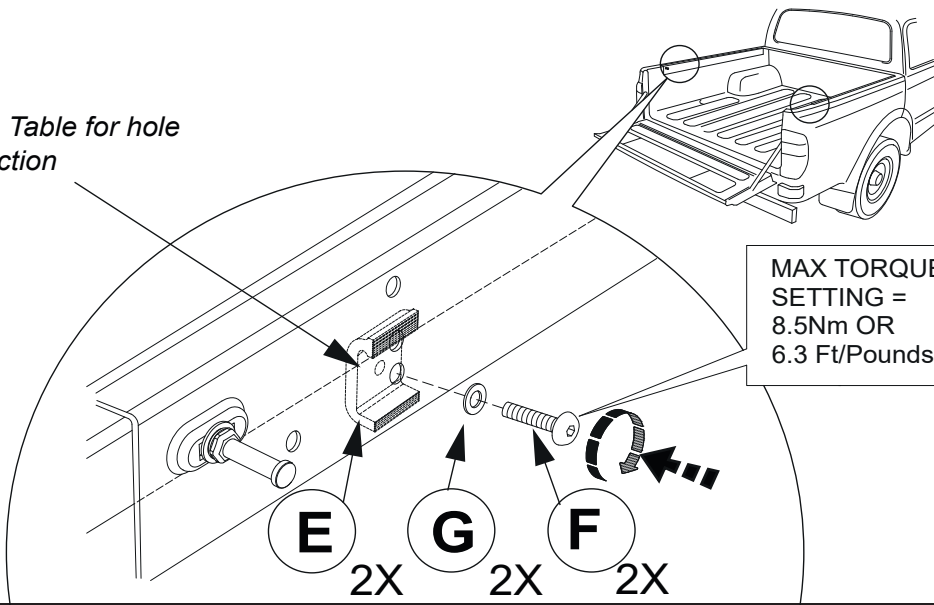
Place front of side mounting brackets back from inside corners of the cargo box - See table for measurement

Vehicle Model	β	δ	φ
ISUZU D-MAX Crew et Space Cabine 2020+ ATFS, ATFR	69 mm	3	2



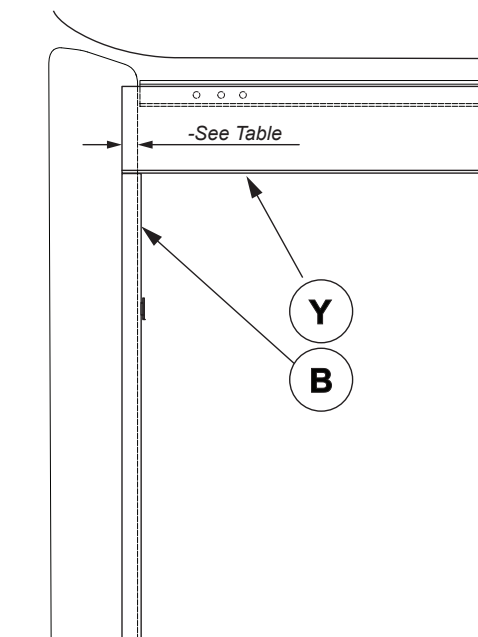
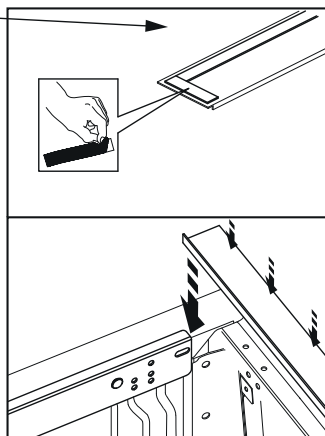
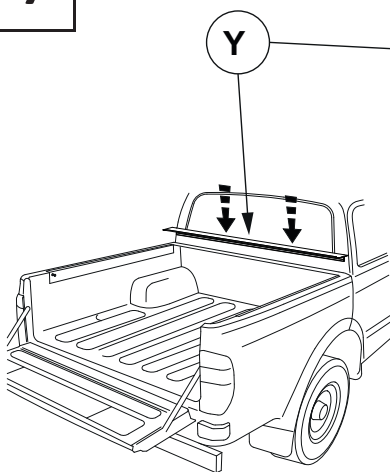
6

δ - See Table for hole selection




MAX TORQUE
SETTING =
8.5Nm OR
6.3 Ft/Pounds

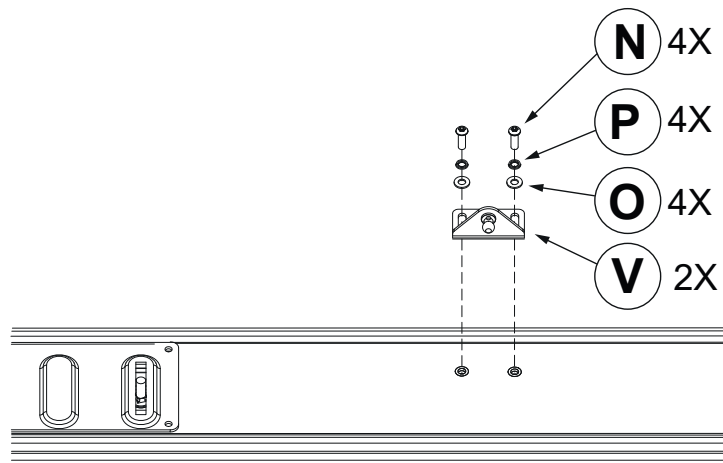
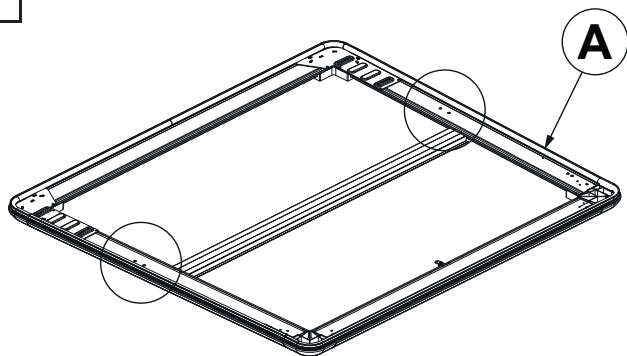
7



Vehicle Model	§
ISUZU D-MAX Crew et Space Cabine 2020+ ATFS, ATFR	28 mm

 DO NOT apply below 15°C.
Apply pressure to part. Adhesive is pressure activated.
Allow 3hrs minimum to cure before installing lid

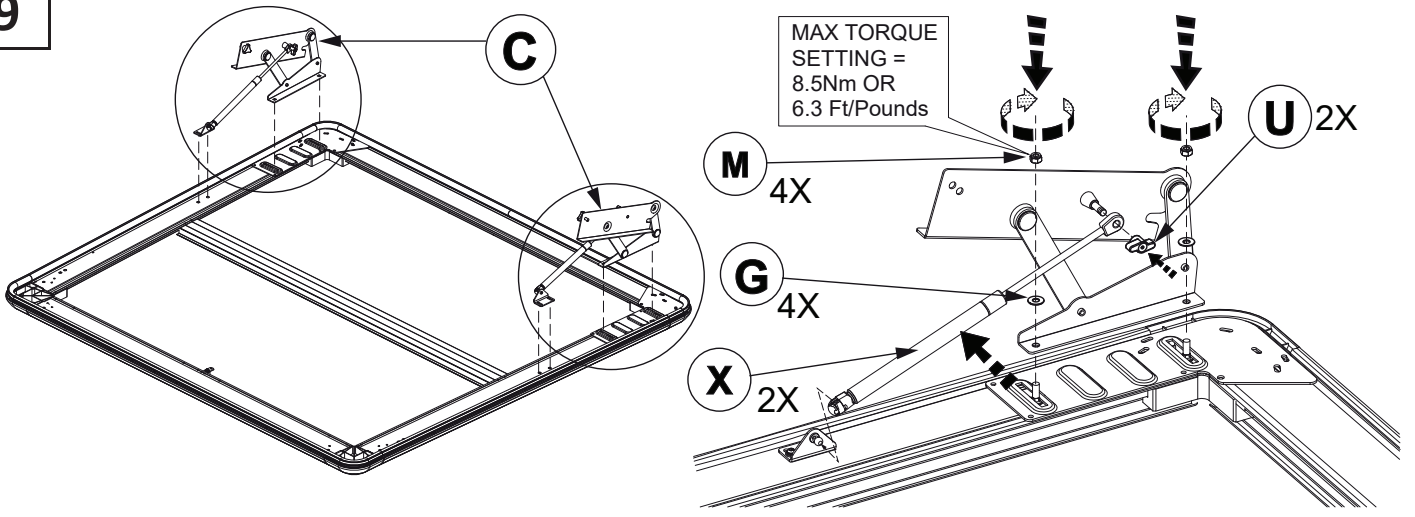
8



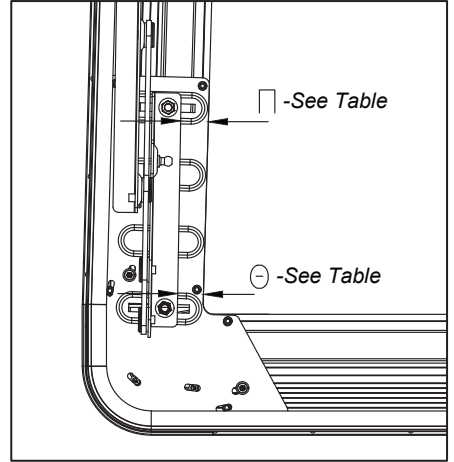
Fit

Fitting Kit Number	Product	Revision	Date	Page
EVOSR1000S	ISUZU D-MAX	2	11-09-2024	4

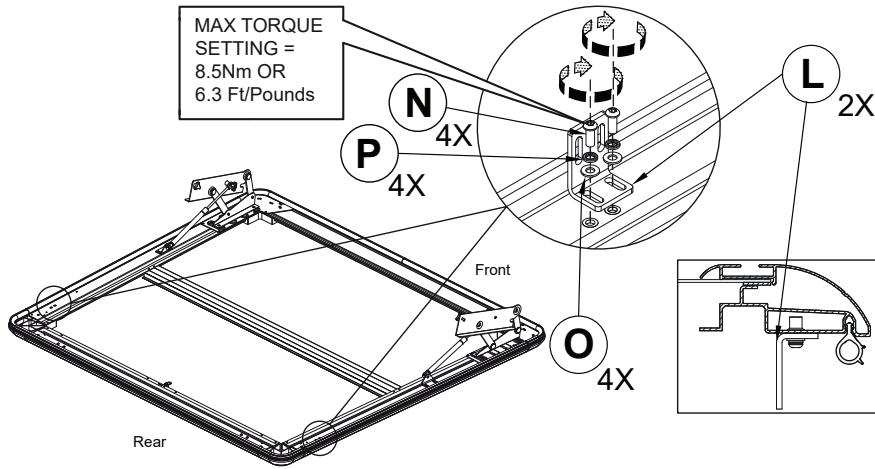
9



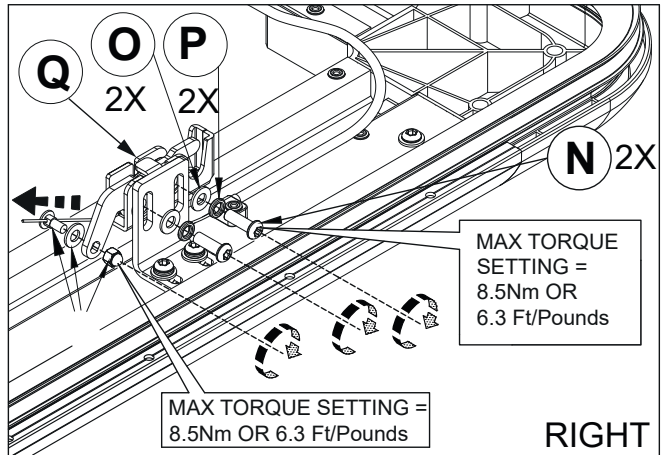
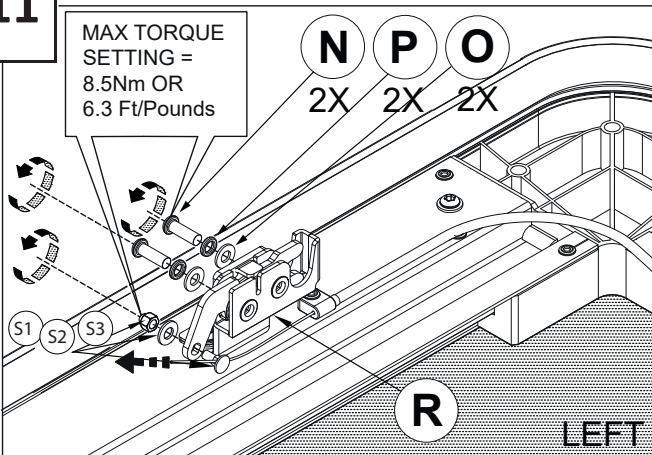
Vehicle Model	Π	Θ	Σ
ISUZU D-MAX Crew et Space Cabine 2020+ ATFS, ATFR	26mm	29mm	-



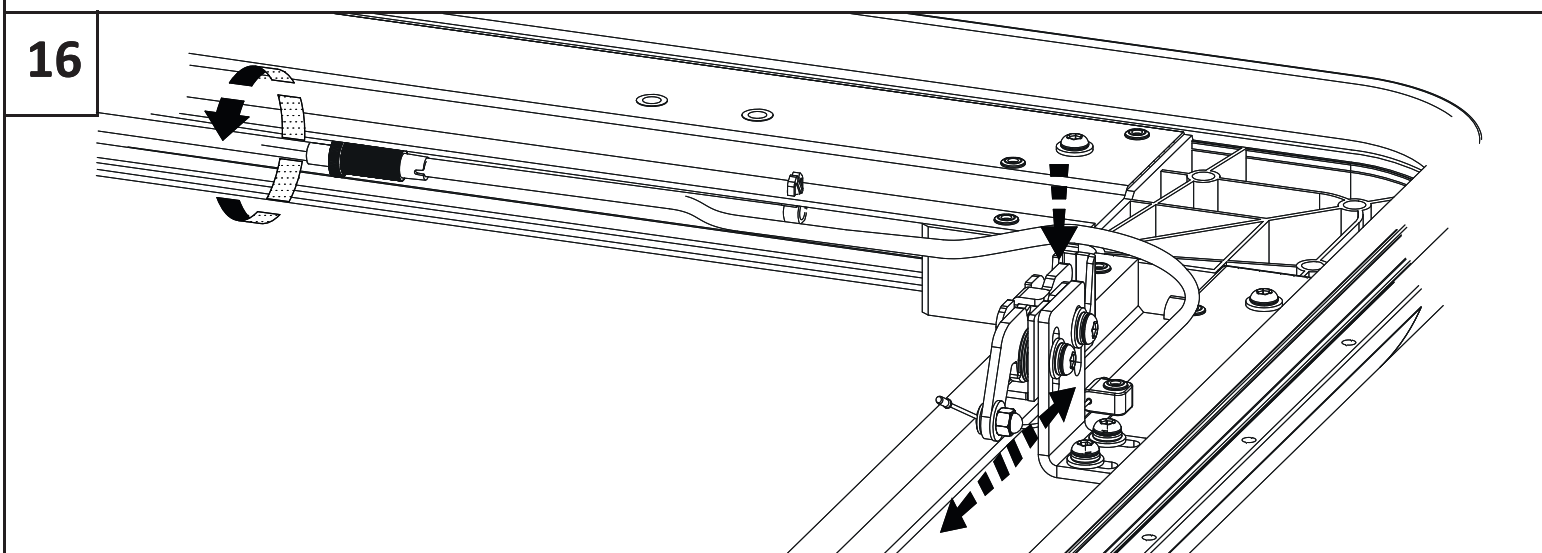
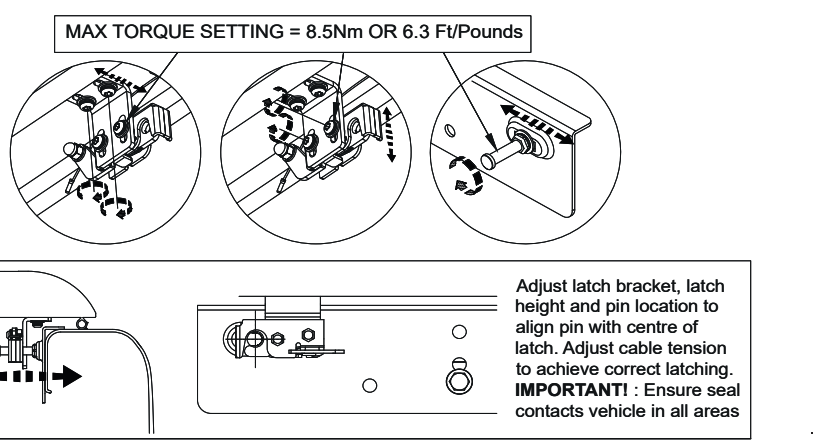
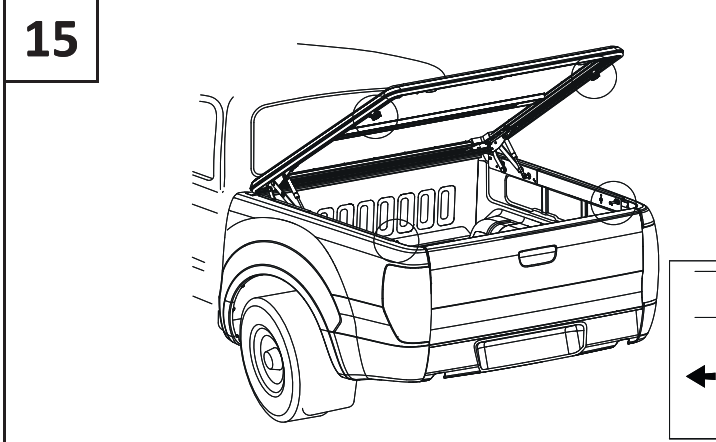
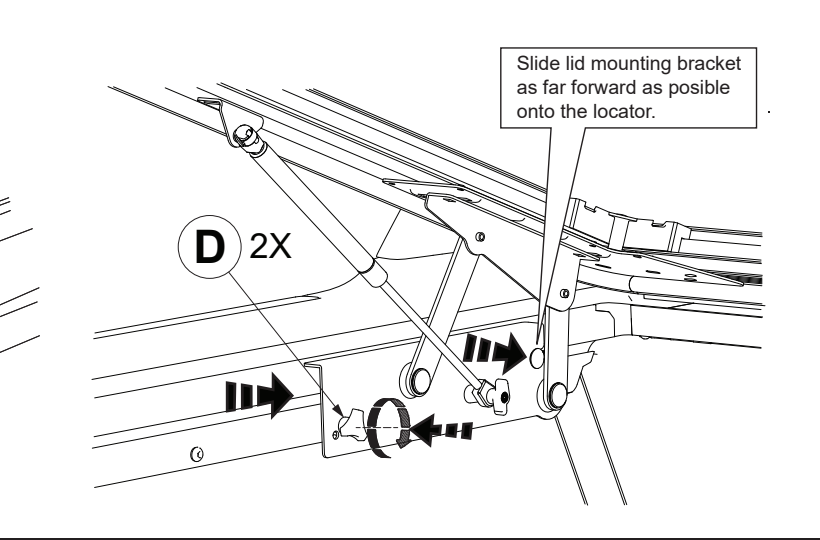
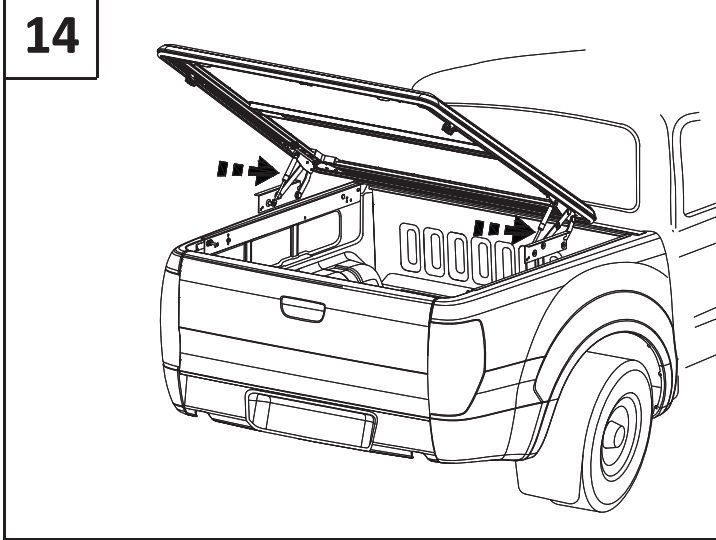
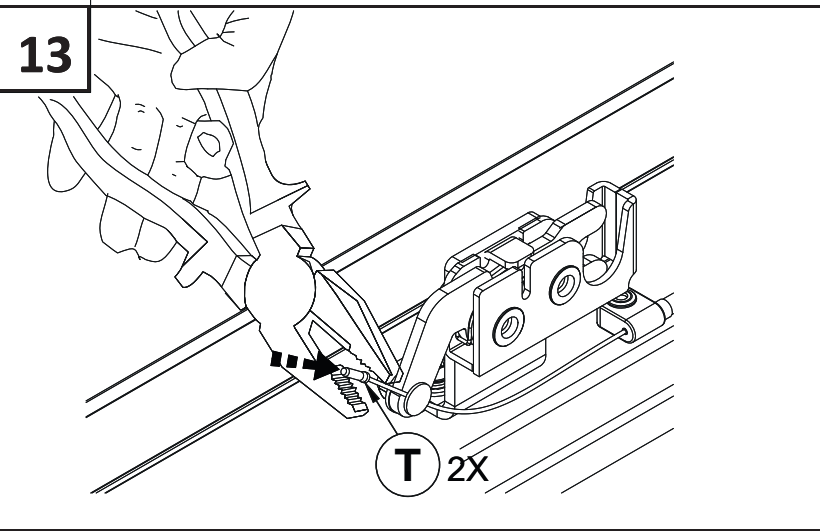
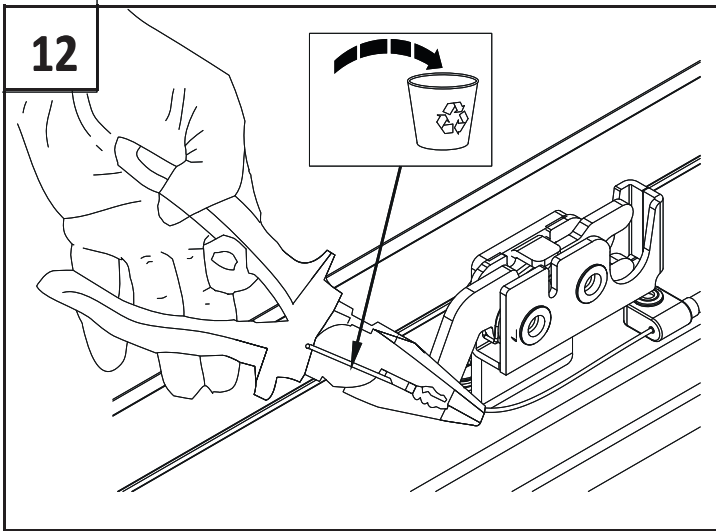
10



11




Fitting Kit Number	Product	Revision	Date	Page
EVOSR1000S	ISUZU D-MAX	2	11-09-2024	5

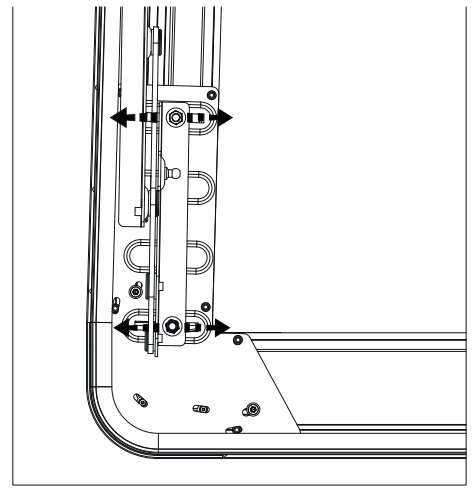
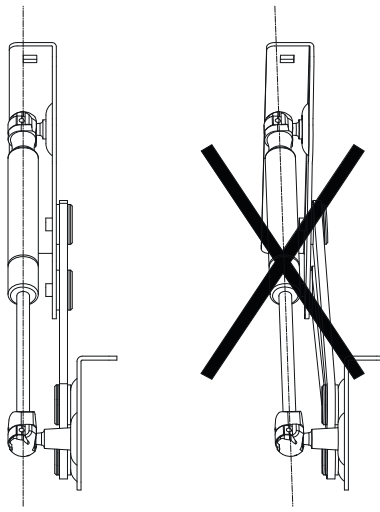


Fitting Kit Number	Product	Revision	Date	Page
EVOSR1000S	ISUZU D-MAX	2	11-09-2024	6

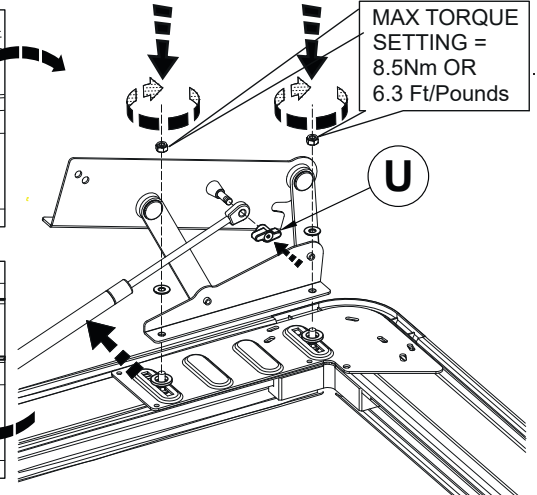
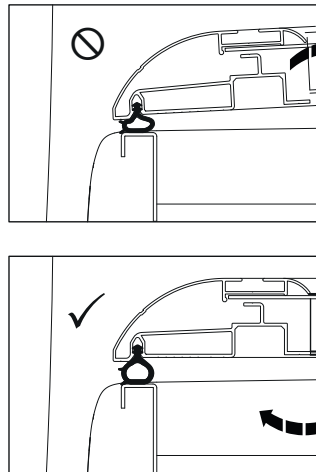
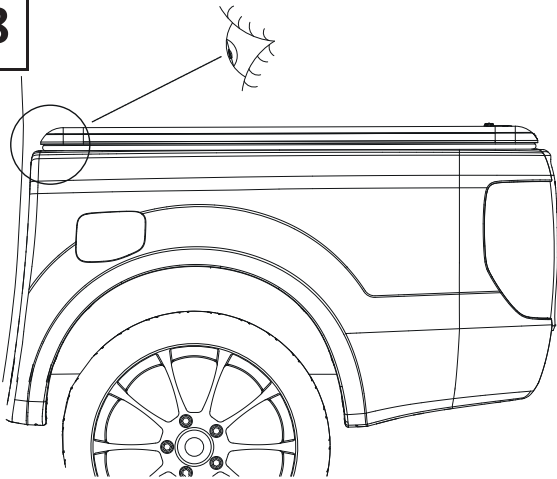
17



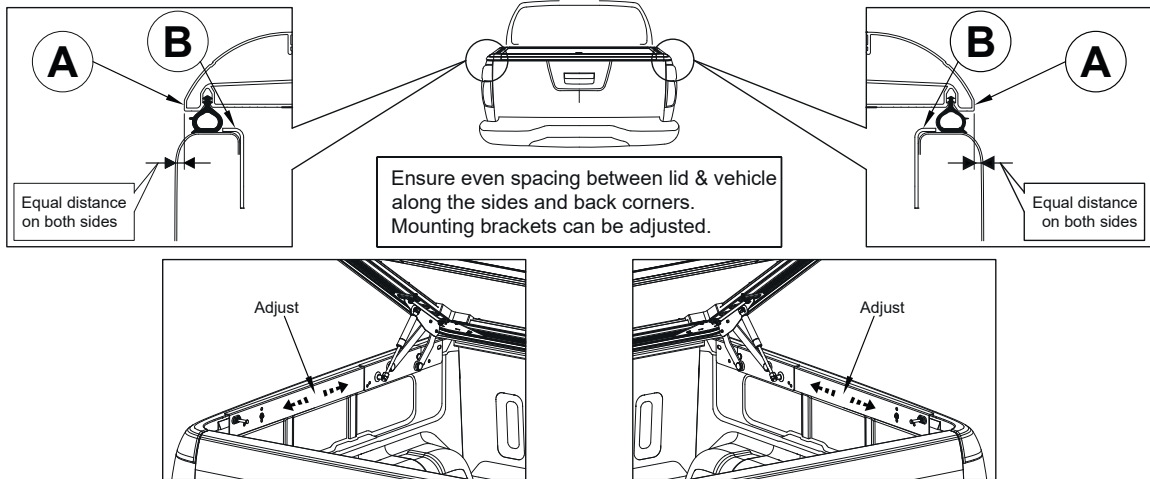
Insure hinge is not twisted.
Adjust connection to lid if nessessary.



18



19



After installation carefully and thoroughly clean all debris from the inside of the cargo box.
Retain these instructions for future reference

 **CAUTION!**

- NEVER allow people or animals under the closed cover
- Do not place unsealed solvents or chemicals under the cover
- Do not stand or place heavy objects on the cover
- Do not open lid when under load.
- Close the cover before operating the vehicle
- Do not allow oil, solvents or chemicals to contact the cover
- Clean only with a mild detergent and water solution

UpStoneEvolve

651, rue Henri Laugier.

06600 ANTIBES.

<http://www.upstone.eu> - info@upstone.fr

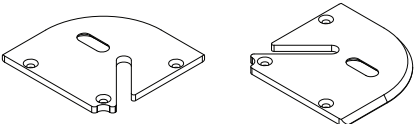
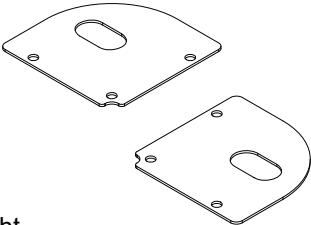
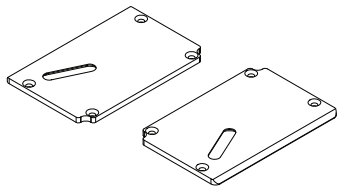
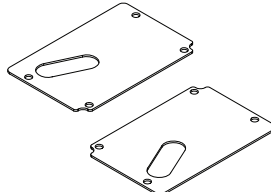
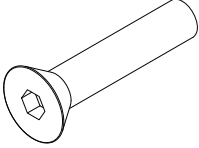
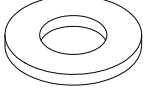
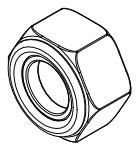
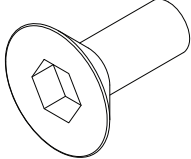
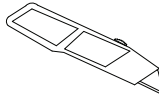

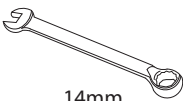
UpStoneEvolve

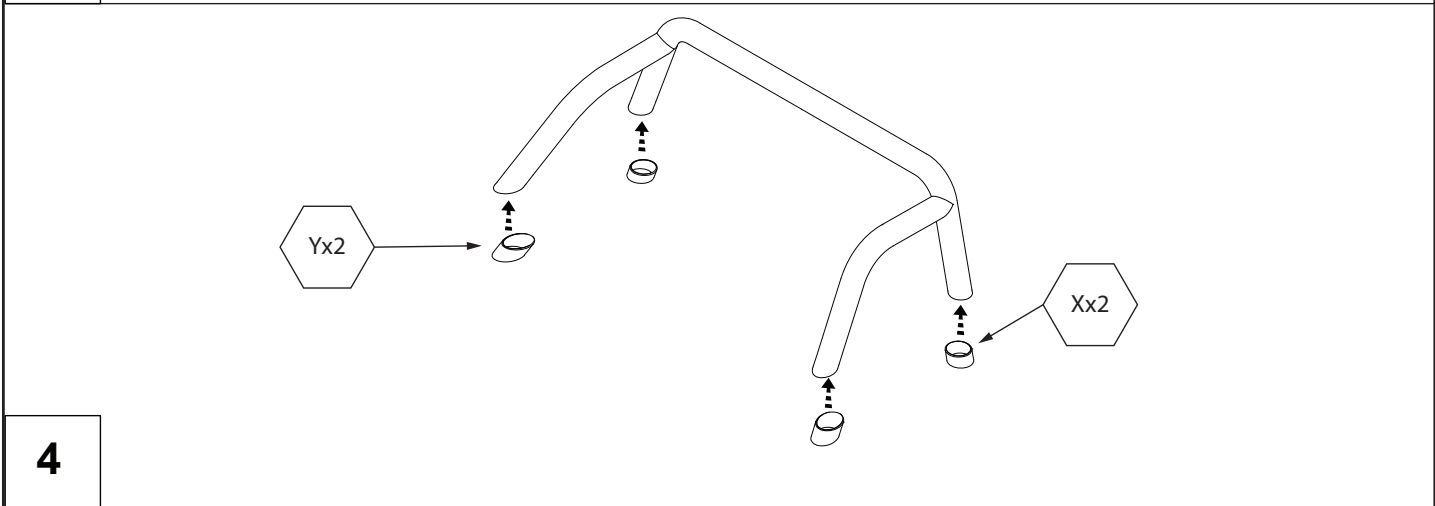
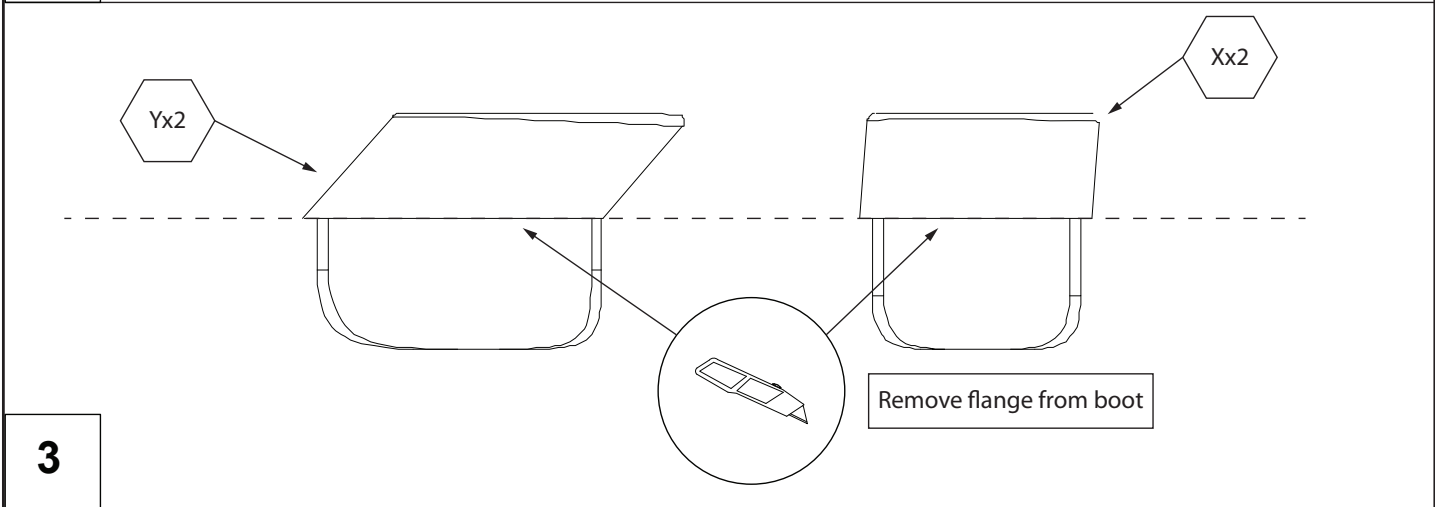
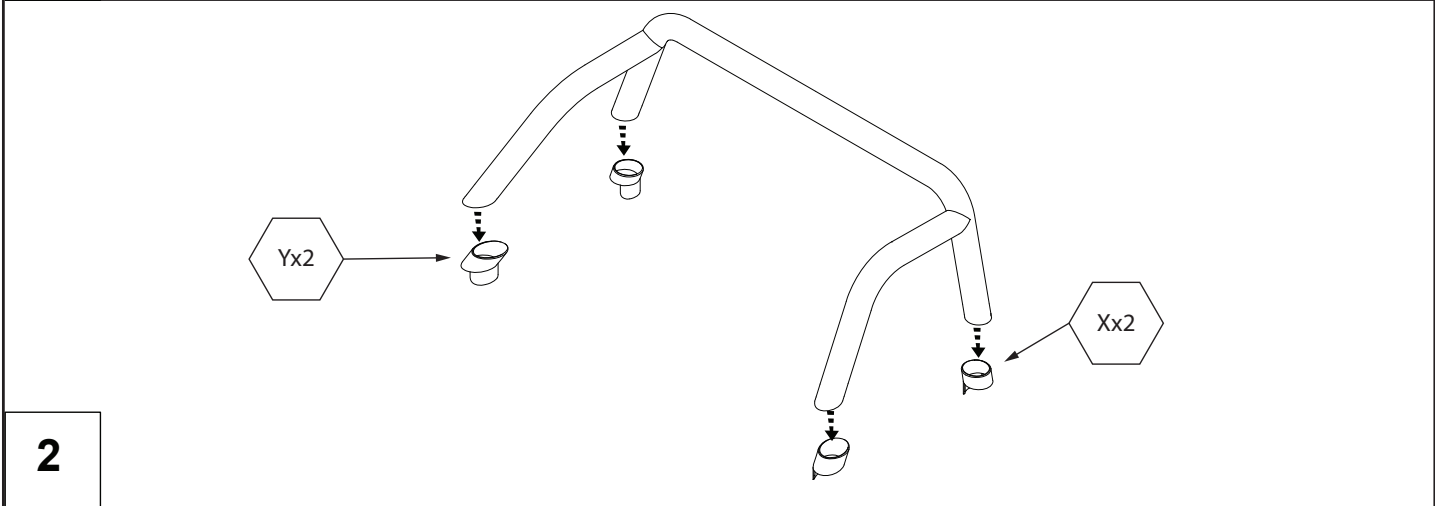
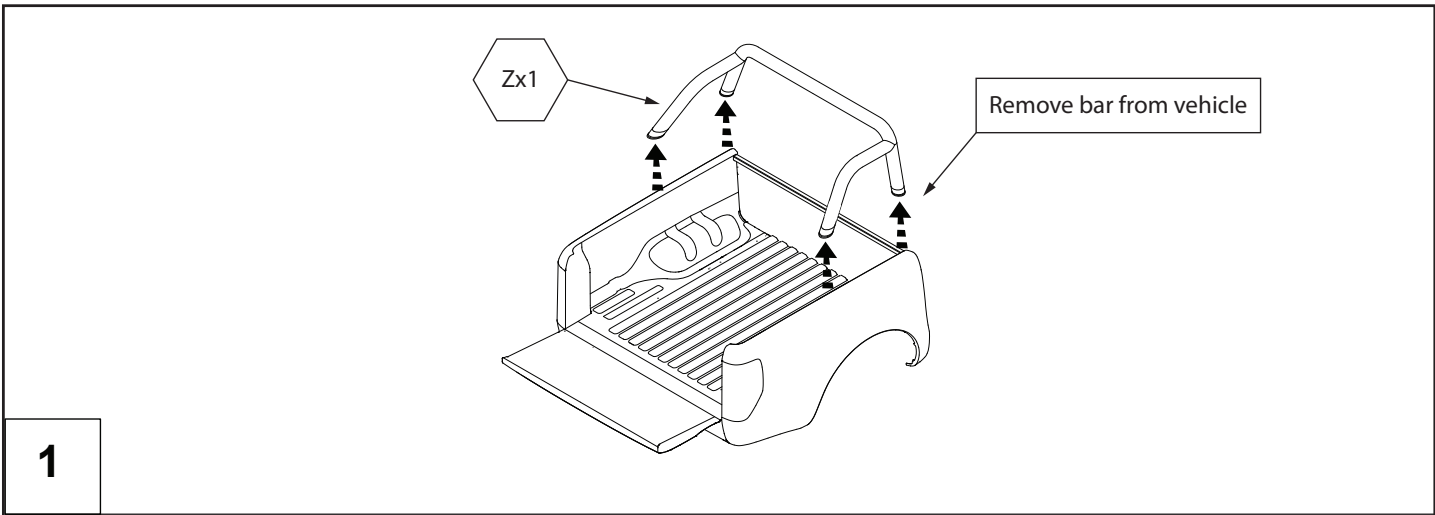
INSTALLATION INSTRUCTION MANUAL

ISUZU D-MAX 2020+ CREW CABINE

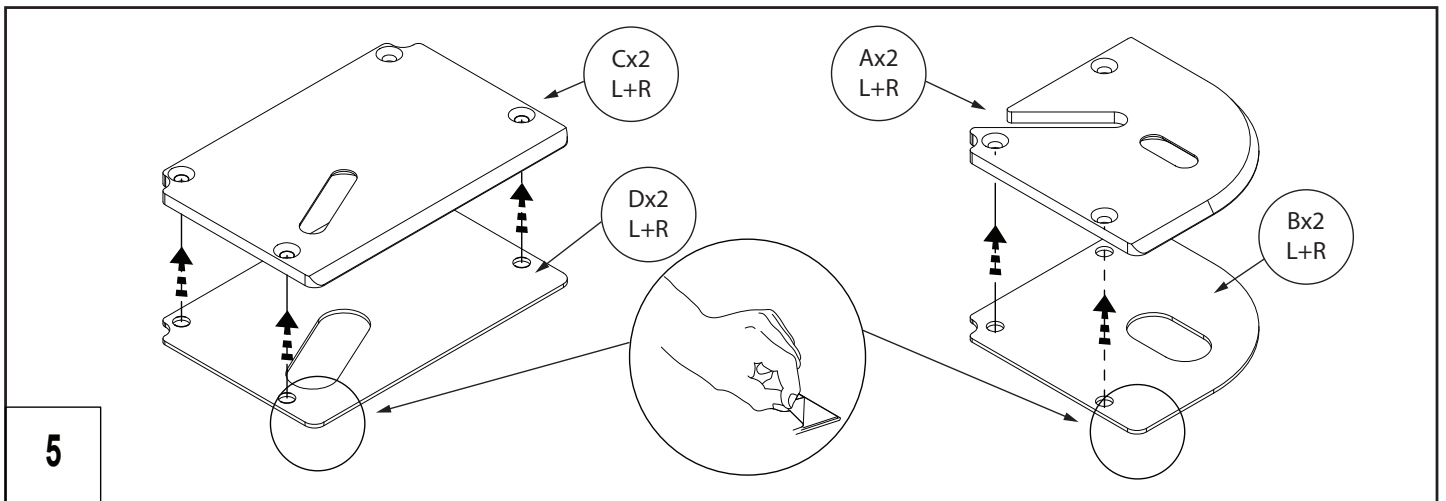
EVOSR1000S

EVOSR1000S

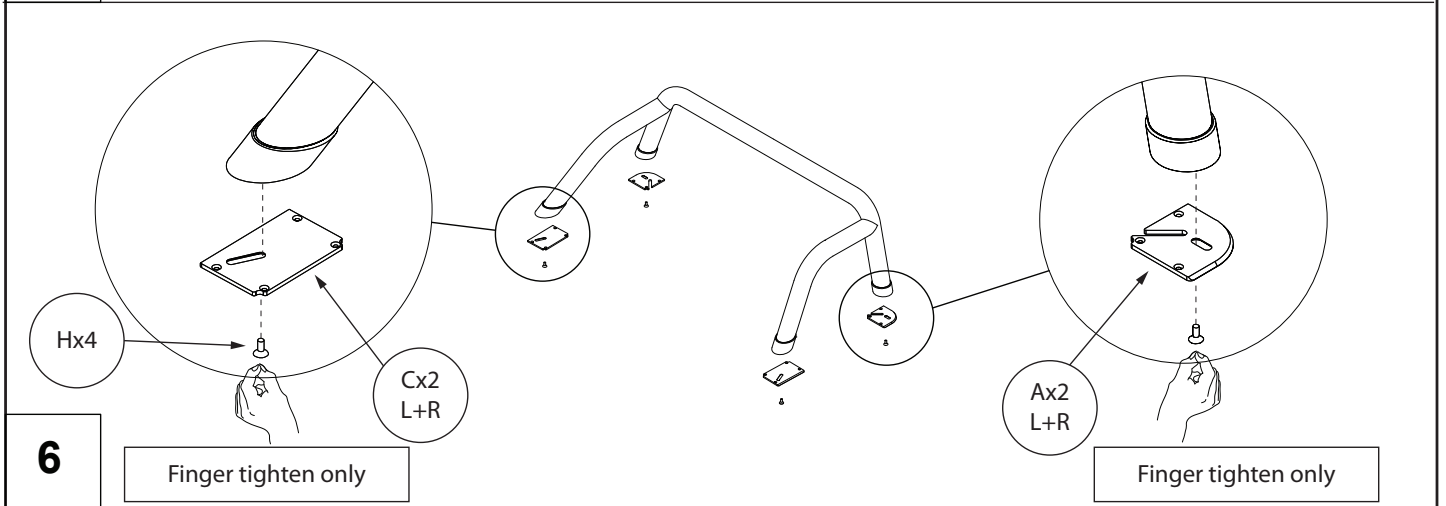
<p>A</p>  <p>Left + Right 2X</p>	<p>B</p>  <p>Left + Right 2X</p>	<p>C</p>  <p>Left + Right 2X</p>		
<p>D</p>  <p>Left + Right 2X</p>	<p>E</p>  <p>M6X25mm 14X</p>	<p>F</p>  <p>M6X13mm 14X</p>		
<p>G</p>  <p>M6 14X</p>	<p>H</p>  <p>M8x20mm 4X</p>			
<p>○ - New component</p> <p>⬡ - Existing component</p>		<p>Note 1: If at any stage of installation you find your sportlid to be an unacceptable fit please contact the manufacturer before continuing.</p> <p>Note 2: This kit is only applicable to the Ford Ranger 11+ DC/XC OE bar compatible Upstone Evolve lids.</p>		
		<p style="text-align: center;">Tools Required</p>   <p>4mm & 5mm Hex Key</p>  <p>14mm Wrench</p>		
<p>Fitting Kit Number</p> <p>EVOSR1000S</p>	<p>Product</p> <p>ISUZU D-MAX</p>	<p>Revision</p> <p>1</p>	<p>Date</p> <p>11-09-2024</p>	<p>Page</p> <p>9</p>



Fitting Kit Number	Product	Revision	Date	Page
EVOSR1000S	ISUZU D-MAX	1	11-09-2024	10



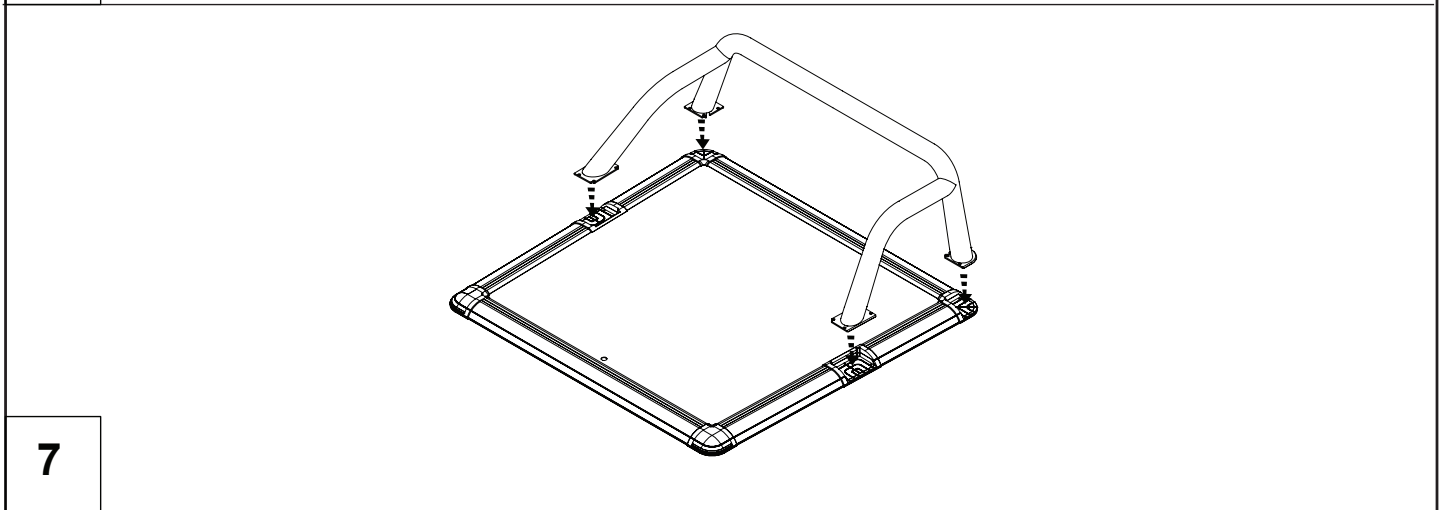
5



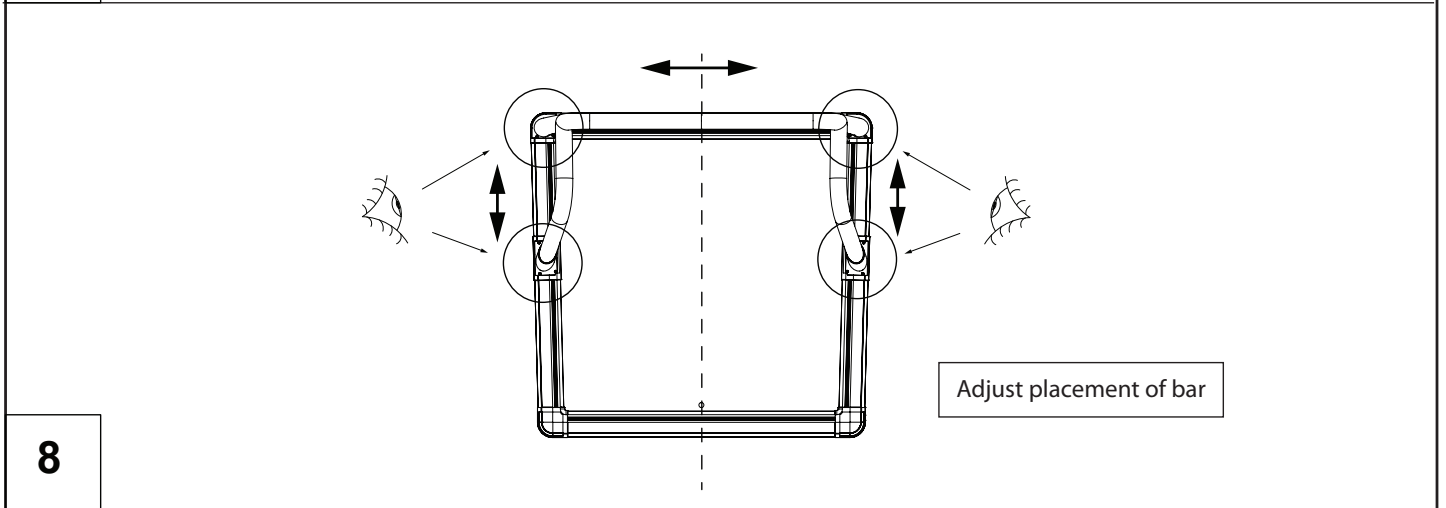
6

Finger tighten only

Finger tighten only



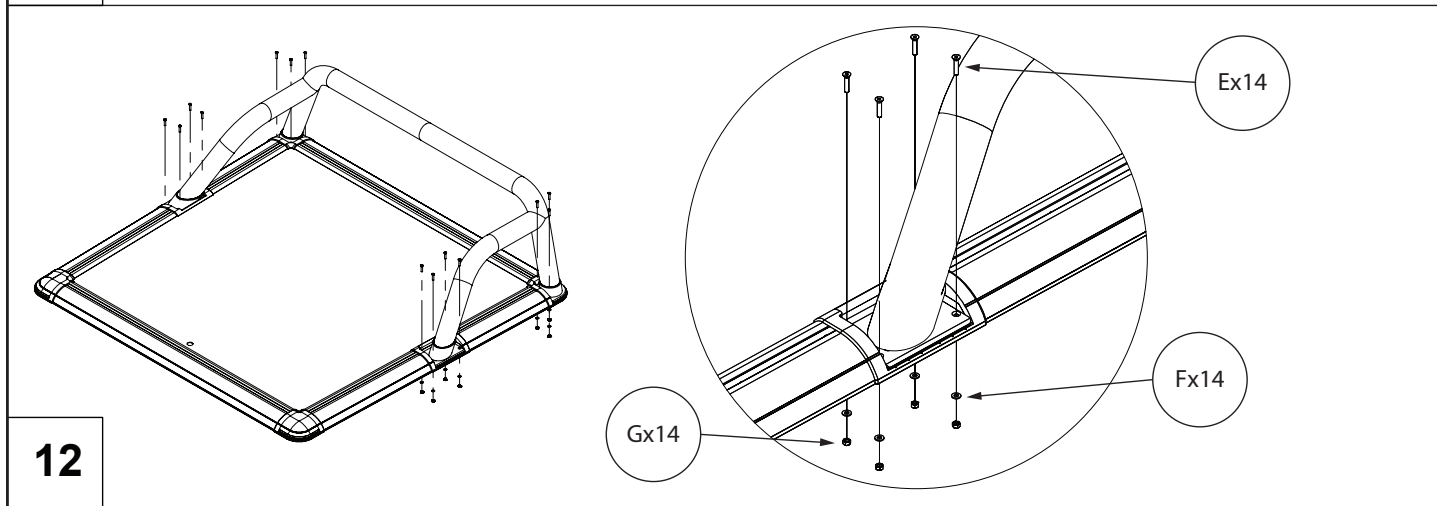
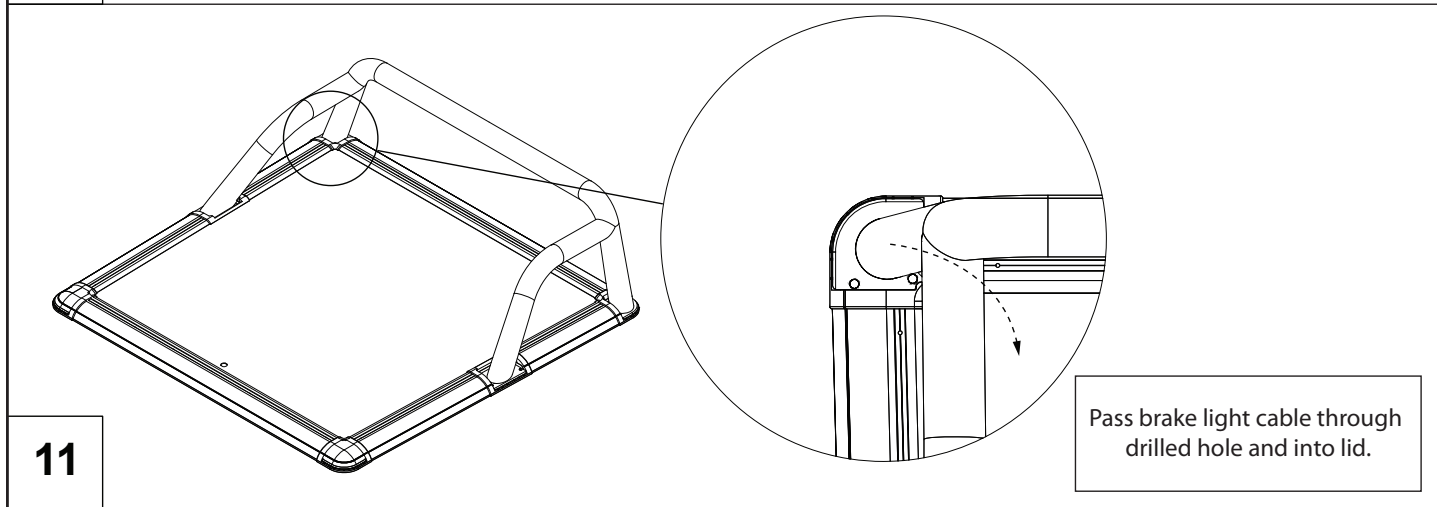
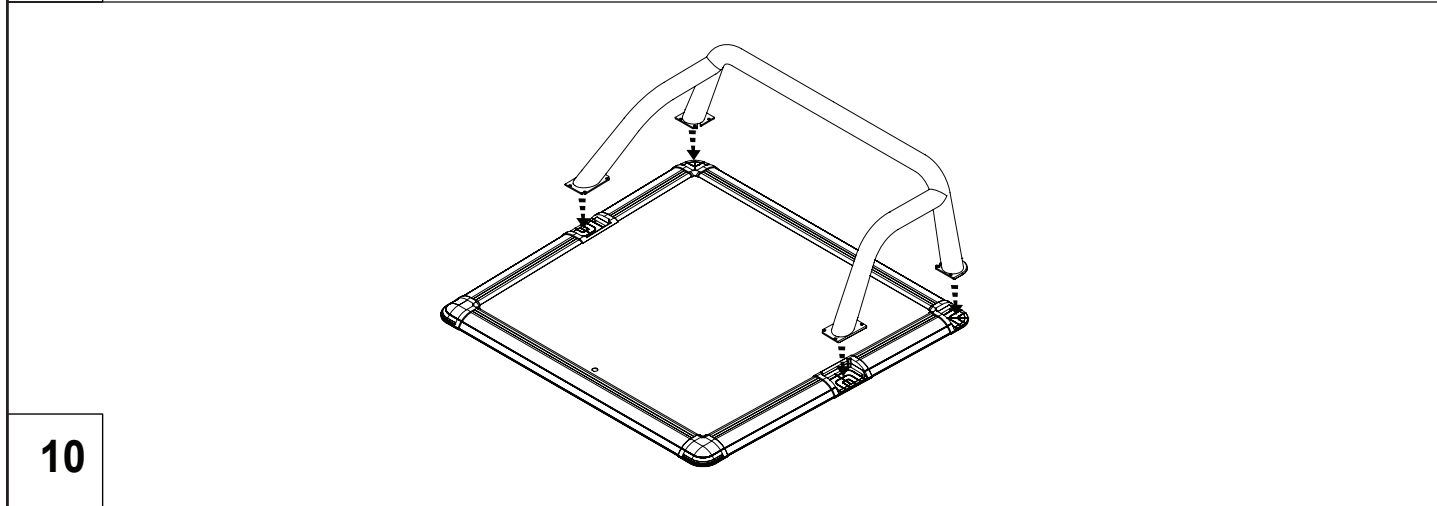
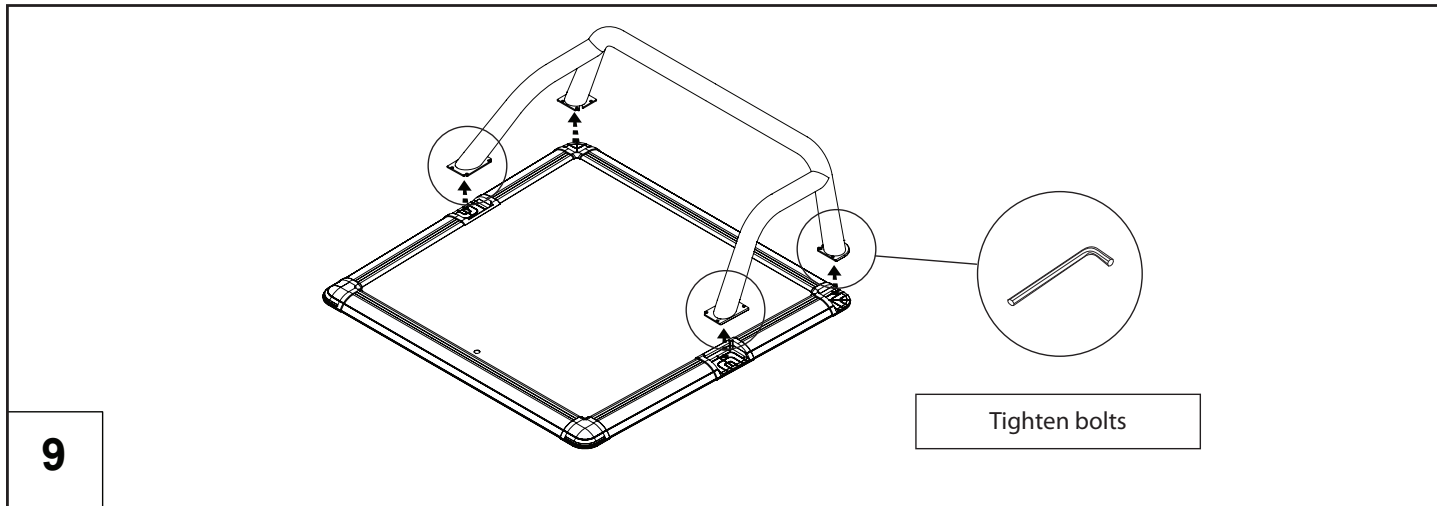
7



8

Adjust placement of bar

Fitting Kit Number	Product	Revision	Date	Page
EVOSR1000S	ISUZU D-MAX	1	11-09-2024	11



Fitting Kit Number	Product	Revision	Date	Page
EVOSR1000S	ISUZU D-MAX	1	11-09-2024	12